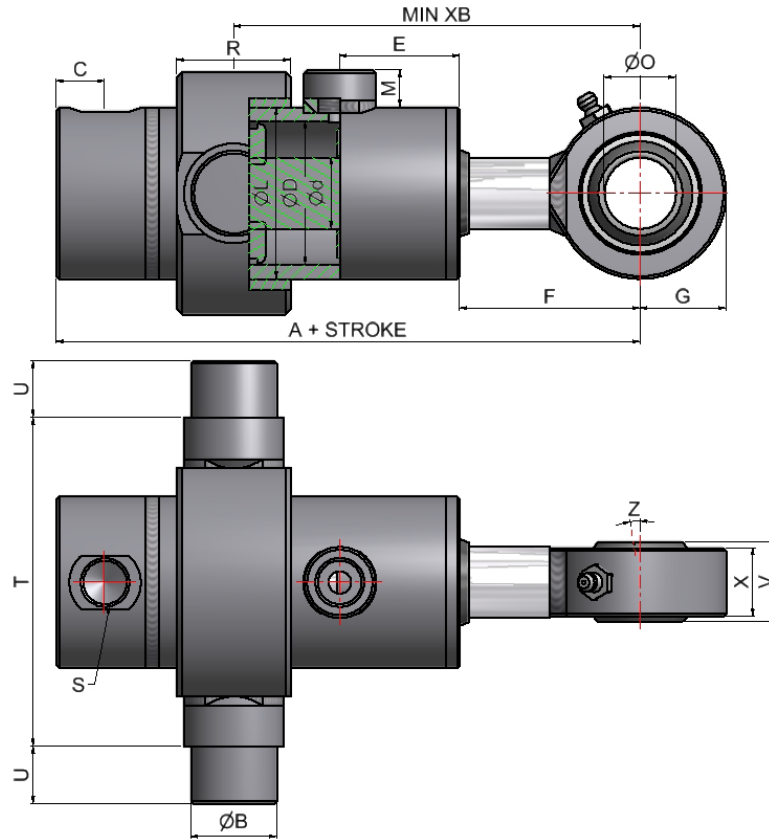


# KS2-DVLP Cylinders

## Trunnion mounting - spherical bearing rod end



### Specifications

ØD	50	63	80	90	100	110	125	140	160	180	200	220	250
Ød	25/32	32/40	40/50	45/56	50/63	56/70	63/80	70/90	80/100	90/110	100/125	100/140	110/160
A	179	195	213	228	263	277	300	311	354	371	388	480	515
ØB	30 f7	35 f7	40 f7	45 f7	50 f7	55 f7	60 f7	70 f7	80 f7	90 f7	90 f7	110 f7	140 f7
C	15	18	18	20	22	23	25	21	28	26	27	40	35
E	42	46	51	56	76	76	90	102	114	122	122	135	158
F	64	74	76	84	93	104	103	102	115	116	129	165	166
G	30	35	40	50	55	55	65	80	85	85	90	120	130
ØL	60	73	95	105	120	130	145	165	185	210	230	254	298.5
M	14	14	18	18	18	18	18	18	22	22	22	22	22
ØO	25 (-0.01)	30 (-0.01)	35 (-0.012)	45 (-0.012)	50 (-0.012)	50 (-0.012)	60 (-0.015)	70 (-0.015)	80 (-0.015)	80 (-0.015)	90 (-0.02)	110 (-0.02)	120 (-0.02)
R	40	50	60	65	70	80	80	100	110	130	150	150	190
S	3/8"	3/8"	1/2"	1/2"	3/4"	3/4"	3/4"	3/4"	1"	1"	1"	1"	1"
T	115	130	145	160	175	190	210	230	275	300	320	355	410
U	20	20	25	27.5	30	35	40	42.5	52.5	55	55	60	100
V	29	30	35	40	43	43	54	65	74	74	60	70	85
X	24	28	32	38	40	40	50	60	70	70	80	80	90
Z	4°	4°	4°	4°	4°	4°	3°	4°	4°	4°	5°	6°	6°
XB	160	175	200	215	243	255	280	293	330	343	365	447	477

All measurements in millimetres (mm) unless otherwise quoted.